



SONDEX®

► S310 - S430 - S600 Plate Heat Exchangers

Recommended Applications:

The S310, S430 and S600 high-capacity range of Sondex plate heat exchangers is especially designed for large installations within the power, oil & gas, petrochemical and desalination industries and for installations where extended quantities of cooling water are required.

Design Principle:

The Sondex type S310, S430 and S600 plate range with lengths up to 5,0 m (16,4 ft) and a "long" thermal pattern will cover many duties up to 7.200 m³/h (31.700 gpm) in a single pass solution. The combination of the DN650 connection and the standard plate width of 1500 mm (4,9 ft) ensure reduced capital investments, smaller footprint and service costs, as parallel installations and plate heat exchangers, piping and fitting will be held at a minimum, compared with the installations and connection sizes known on the market today. The heat transfer is obtained, when the warm medium transfers energy through the thin, strong flow plates between the channels and delivers it to the cold opposing medium without mixing the two media. Counter-current flow creates the optimal efficiency.

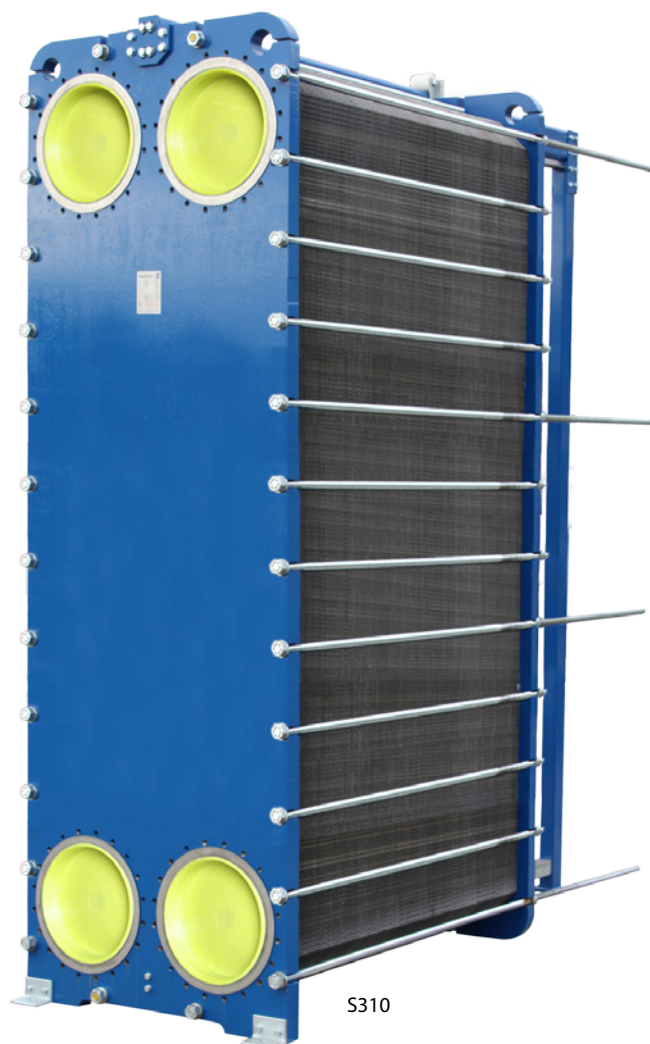
Flow plates:

The corrugated "herringbone" pattern ensures turbulent flow in the whole effective area. Furthermore, this pattern brings "metallic" contact between the plates, and together with "Sonder Lock" locking devices on the gaskets, the plate pack is easily assembled. The plate pack is held firm and safely between the fixed head and movable follower of the frame.

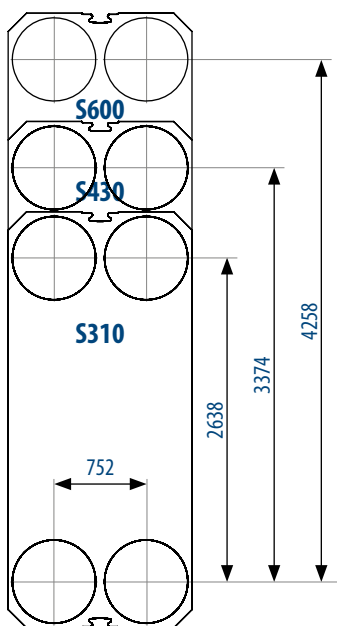
Data Required for Correct Quotation:

- Duty
- Flow rate
- Temperature
- Type of media
- Working pressure
- Working Temperature
- Pressure loss
- Thermodynamic properties

Above data determines the choice of heat exchanger.



S310



For exact dimensions of the PHE please refer to the dimension drawing

Technical Information

Frame:

- Painted frame, colour RAL 5010 (available in other colours)
- The frames comes with clamping bolts placed around the frame edge.

Design Pressure/Temperature:

- Painted frames: 0.6/1.0/1.6 MPa. (87/145/232 PSI)

Construction Standard:

- EN13445 (PED 2014/68/EU)
- ASME sec VIII, Div. 1

Connections:

- DN600/24" or 650/26" flanges in carbon steel, rubberlined or clad with AISI 316 or titanium.
- According to all known standards.

Plate Material:

- AISI 304/316 and titanium.
- Other materials available on request.

Gaskets:

- The gasket is the unique non-glued "Sonder lock" gasket which locks the plates together with strong rubber buttons, so that the plates are strongly guided during the assembly of the plate heat exchanger.
- Materials: NBR, EPDM and Viton.
- Other materials available on request.

Extra Equipment:

- Safety cover in stainless steel
- Insulating jacket
- Assembling spanner
- Foundation feet
- Instrument flange
- Thermometer and manometer